

Robinsons
ALUMINIUM GREENHOUSES
75 Years of Aluminium Greenhouses



www.robinsongreenhouses.co.uk



Made in the United Kingdom

Introduction to Robinsons

For over 75 years, amateur and professional growers alike have recognised Robinsons as being at the very forefront of the greenhouse world. Renowned for their strength, precision engineering and practical features, Robinsons greenhouses are still the benchmark against which other greenhouses are measured. If you want the best in your garden, then keep reading!

History

Started in 1947, the company has moved around over the years including spells at Winchester, Southampton and Southam. Now based in Staffordshire, a nice central location for nationwide distribution.



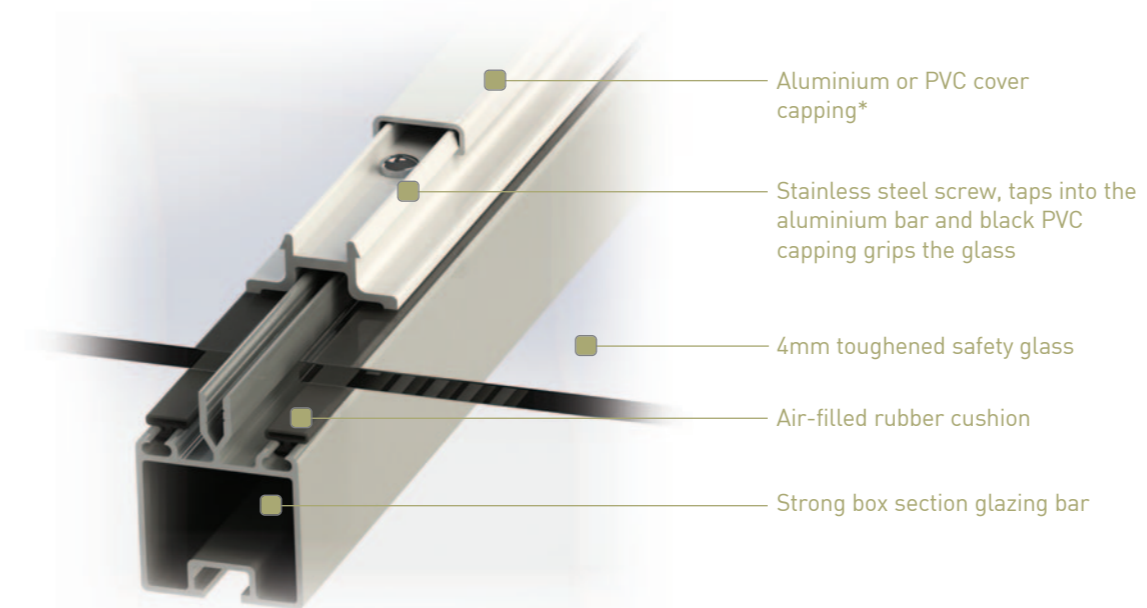
Still made in Britain today

All Robinsons greenhouses are made in our factory in Staffordshire. The aluminium raw material is also extruded in the UK.



Rosette model shown in Light Bronze

This combination of box section bars and screwed-in capping system is what makes a Robinsons stand head and shoulders above other greenhouses



Aluminium or PVC cover capping*

Stainless steel screw, taps into the aluminium bar and black PVC capping grips the glass

4mm toughened safety glass

Air-filled rubber cushion

Strong box section glazing bar

Strong Frame

Robinsons greenhouses are extremely strong, probably the strongest greenhouse available in the UK today. Its not just because we use far more aluminium in the frames (some sections are as much as twice as thick) its also because of the clever design.

NEW Box Section

Robinsons models use mostly box section glazing bars. This unique design is what sets Robinsons apart from other brands - which tend to use T-shaped sections. The box section design gives a far sturdier frame which is particularly resistant to twist -vital for strength in windy conditions.



Add to this the unique and extremely strong glazing method and extra sturdy A-frames placed at every joint with an extension module and the finished product is just about as sturdy and wind resistant as it gets.



Glazing

The Robinsons unique low-profile glazing method has been tried and tested now for well over 20 years. The fact that the capping is screwed in means that it is extremely strong and it is almost impossible for the glass to blow out.



Duraglaz 4mm Toughened Safety Glass

All Robinsons come with 4mm toughened safety glass as standard. This is 33% thicker than most greenhouses which use only 3mm (sometimes not even toughened) Toughened glass is 5-7 times stronger than standard glass and if it does break it disintegrates into small pieces - reducing the chance of injury. As a rough guide, it might survive a football but it probably wouldn't survive a cricket ball!



Go online to see a video of a van drive over the Robinsons 4mm toughened glass.

*Note: New colours (Pastel Sage, Ivory, Anthracite and Old Cottage Green) will have an aluminium cover cap in matching colour. PVC on plain aluminium only.



Search YouTube for 'Robinsons mini greenhouse'



This amazing demonstration of strength took place in September 2015. Although a special frame to level the roof was made, the greenhouse underneath was completely standard and unmodified! The mini weighs nearly 1.5 Tonnes.

Perfect ventilation as standard

Ventilation really is vital in your greenhouse and that's why all Robinsons greenhouses come complete with a generous allocation of roof vents, all fitted with Bayliss XL automatic openers. These clever devices work on heat expansion alone and simply open the roof vents as the greenhouse warms up in the sun. You can also fit optional auto-louvre openers to your louvre side vents if you wish to be fully automatic.



Louvre side vents included

Louvre side vents are now included on virtually every Robinsons greenhouse. Whilst the automatic roof vents will draw hot air out of the top of the greenhouse, the louvres will draw the cool fresh air in to replace it. It is this combination which makes the Robinsons ventilation system so effective.



Robinsons practical design features

High Eaves

At 5'6" high at the eaves, Robinsons are as much as 18" higher than some models. The extra height is vital for your own head room, but also for tall plants such as tomatoes and chrysanthemums. The height also gives you plenty of room for a high level shelf, and makes the air inside the greenhouse more stable and less susceptible to sudden temperature changes.

Easy-Glide locking doors with no step

The Easi-Glide Robinsons doors are very strong (the glass is securely held in with full length strips) and they slide beautifully. The Go-Lo low-level threshold means that you have no big step to trip over when entering the greenhouse and it allows easy access for wheelbarrows and wheelchairs. All the models that are big enough have double doors for nice wide access.

Universal fittings channel

The standard channel in the glazing bars means that you can easily buy extra useful fixings such as shading or insulation clips, L-shaped brackets, extra shelves etc.

Extend or move your greenhouse later

If you need to move your greenhouse or even extend it (in 6ft or 8ft modules) later then that can be done - giving you future flexibility. It is also worth noting that you can extend your greenhouse to any length - without partitions, due to the excellent strength of the specially designed A-frames which go on the extension joints.

Internal partitions - create two climates

Ideal for sectioning off a smaller propagation area or area for heating in the winter. These are available on the 8ft, 10ft, 12ft and 14ft models and come complete with sliding door or doors. A partition also adds considerable strength to your greenhouse.

Practical staging & shelving

Robinsons aluminium slatted staging and shelving is unusual in that it is fitted to the greenhouse rather than free standing. The advantage of this is flexible height positioning, no vertical legs so you can put bulky or heavy items such as compost or planters underneath on the floor. This also makes it wheelchair friendly.



The high level shelf is also unusual in that you can get a shelf along the whole length of the greenhouse - not always possible on all aluminium greenhouses.



Robinsons Here's why it's worth investing in the best quality

At 5'6" high, at the eaves, a Robinsons greenhouse is one of the highest that you can get. Extra height gives you more headroom for plants such as tomatoes, chrysanthemums and vines, more space for a high level shelf, a more stable environment inside and more head room for you when working! Although other greenhouses can be high as well - the strength of the frame becomes vital as you go higher as the greenhouses become more vulnerable to wind damage.

All Robinsons models come with generous ventilation including these roof vents fitted with Bayliss XL automatic openers. These ingenious devices simply expand in the rising heat and open the roof vent, releasing the warm air when needed.

Optional Victorian ridge cresting is made from cast aluminium in matching colour and adds a decorative touch to your greenhouse. Some gardeners tell us that it also deters pigeons from perching on the greenhouse roof.

Optional integral 3 slat shelf is very strong, adjustable to different heights and fills the whole length of the greenhouse.

Optional integral staging is extremely strong, and because it bolts to the side of the greenhouse, you can set it to the perfect working height, plus with no vertical legs in the way, you can make the most of your ground space.

Nice wide double doors (not every model) provide easy access and no step at door for easy wheelchair or wheelbarrow access.

Go-Lo is a properly engineered low level threshold for easy access. (Beware of additions to some greenhouses which are loose or no threshold at all which can be weak).



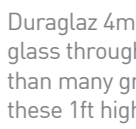
Pro-Cap PVC glazing capping is screwed in tightly to the aluminium frame using stainless steel screws. This grips the glass firmly onto an air filled rubber. The end result is an extremely strong glazing method with a final cover capping hiding the screw heads. This gives the whole structure of the greenhouse far more strength and a neat finish.



These Easi-Glide doors each have four Nyloglide door wheels for a smooth 'fingertip' opening



Integral aluminium guttering (for strength) and PVC downpipes included with every greenhouse - plus range of optional extra fittings available.



Duraglaz 4mm toughened glass throughout (33% thicker than many greenhouses) Plus these 1ft high kick panels are designed so that the most vulnerable area to breakage is a small one (and therefore cheaper to replace).



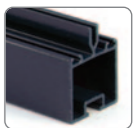
Attention to detail means that the Robinsons greenhouse is far better 'finished off' than many greenhouses.



These high quality louvres draw cooler air in to replace the warm air that is released by your automatic roof vents.



Locking door; catch helps prevent doors blowing open in strong winds.



Contemporary Colours

Stunning range of colours

Contemporary Colours (aluminium colour capping)

These five Robinsons colours are finished with an Aluminium capping system that is less prone to fading in the sun than PVC capping - particularly on darker shades.



Old Cottage Green - Blend in with your garden with this pleasant green, like the windows from an old English cottage.



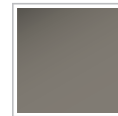
Pastel Sage - A pale stone colour with a greenish hint.



Ivory - This ivory colour is popular on Victorian models, the off-white shade adds a subtle antique effect.



Anthracite - Popular in the window industry, anthracite is a sophisticated and modern shade of dark grey.



Light Bronze - A metallic stone colour.

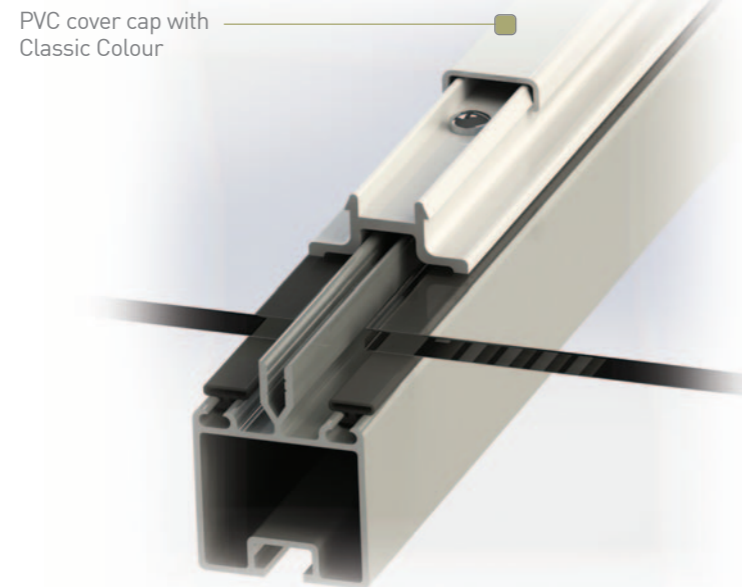
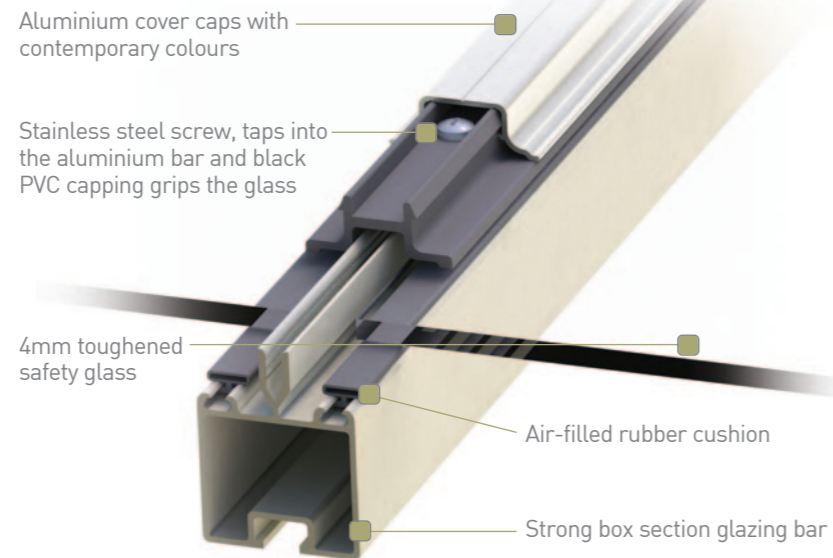
FREE colour sample plates - ask your agent for a sample.

Classic Colour (PVC white capping)

This mill colour is finished with a white PVC capping.



Mill Finish - This is unprocessed aluminium. It will weather to a dull grey over time. Finished with a white PVC capping.



Old Cottage Green



Pastel Sage



Ivory



Anthracite



Light Bronze





Rowton

4x2 Rowton in Ivory with optional shelves all around



4x6 Rowton with Anthracite finish



Robinsons Rowton 4'5" Wide (1366mm)

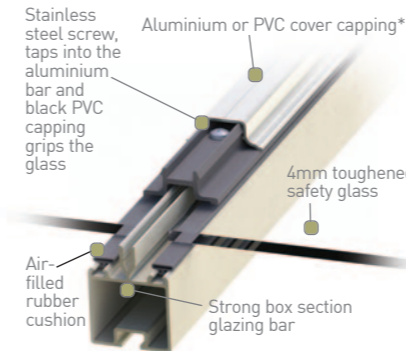
- ✓ High Eaves ✓ Toughened glass ✓ Bar capping ✓ Guttering & Downpipes
- ✓ Auto-vents ✓ Ground level door threshold ✓ Louvre side vents

Specification

- High eaves (5'6") for more space
- Extremely strong R-PRO box section glazing bars
- DURAGLAZ 4mm toughened safety glass
- PRO-CAP Screw-in capping system as standard
- Locking mini double door with GO-LO low level threshold
- Integral gutter with downpipes
- Superb ventilation included (see table)
- 10 year framework Guarantee



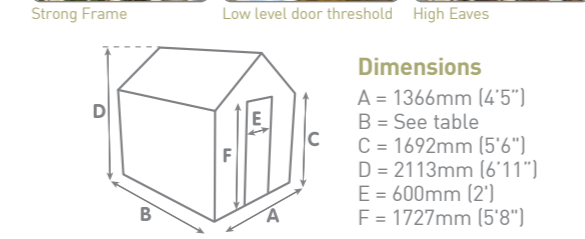
Note all prices shown are the net discounted prices incl VAT at 20%.



Hanging Basket Brackets (10) £29



Auto-louvre £45



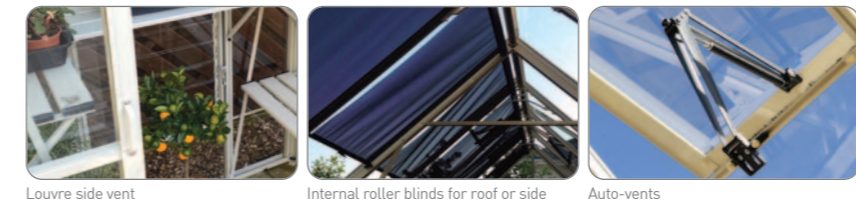
- ### Dimensions
- A = 1366mm (4'5")
 - B = See table
 - C = 1692mm (5'6")
 - D = 2113mm (6'11")
 - E = 600mm (2')
 - F = 1727mm (5'8")

Options

- Extra roof vents including auto opener **£149**
- Louvre side vents **£199**
- Hanging basket brackets (10) **£29**
- Internal blinds per 2' section **£129**
- Auto-louvre **£45**

Recommended shelving

The 3 slat shelving is ideal for this four foot model. At 11" wide it nicely fills the gap to either side of the door and can be used at multiple heights for maximum growing or storage room.



Nominal base length	2'6"	4'7"	6'7"	8'8"	10'8"	12'8"
Actual base length (B)	772mm	1392mm	2012mm	2632mm	3252mm	3872mm
No: of roof vents	One	One	One	Two	Three	Four
No: of louvre side vents	One	One	One	One	Two	Two
Large pane 4mm toughened safety glass	✓	✓	✓	✓	✓	✓
Greenhouse Price	£1799	£1999	£2199	£2599	£2999	£3399
3 slat (11") Shelf one side	£80	£120	£180	£240	£300	£360
Victorian Cresting including Finials (Cast aluminium)	£230	£310	£390	£470	£550	£630

All prices include a powder coating finish. 15% OFF the above prices for Mill finish.

Contemporary Colours (aluminium colour capping)

These five Robinsons colours are finished with an Aluminium capping system that is less prone to fading in the sun than PVC capping - particularly on darker shades.

- Old Cottage Green** - Blend in with your garden with this pleasant green, like the windows from an old English cottage.
- Pastel Sage** - A pale stone colour with a greenish hint.
- Ivory** - This ivory colour is popular on Victorian models, the off-white shade adds a subtle antique effect.
- Anthracite** - Popular in the window industry, anthracite is a sophisticated and modern shade of dark grey.
- Light Bronze** - A metallic stone colour.

FREE colour sample plates - ask your agent for a sample.

Classic Colour (PVC white capping)

This mill colour is finished with a white PVC capping.

- Mill Finish** - This is unprocessed aluminium. It will weather to a dull grey over time. Finished with a white PVC capping.

Finials & Cresting



2x Finials (without cresting) **£164**
See table for Victorian Cresting & Finial prices.



Robinsons
ALUMINIUM GREENHOUSES
Regatta

5x6 Regatta in Pastel Sage shown with optional 2x Finials



5x6 in Light Bronze finish with optional staging, shelf and 2x finials



5x6 in Ivory finish with optional staging and shelves both sides and Victorian cresting

Robinsons Regatta
ALUMINIUM GREENHOUSES
5'4" Wide (1662mm)

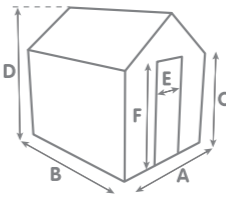
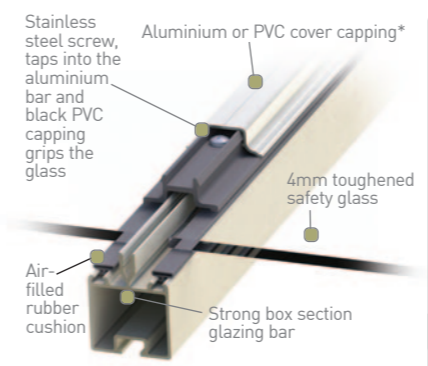
- ✓ High Eaves ✓ Toughened glass ✓ Bar capping ✓ Guttering & Downpipes
- ✓ Auto-vents ✓ Ground level door threshold ✓ Louvre side vents

Specification

- High eaves (5'6") for more space
- Extremely strong R-PRO box section glazing bars
- DURAGLAZ 4mm toughened safety glass
- PRO-CAP Screw-in capping system as standard
- Locking mini double door with GO-LO low level threshold
- Integral gutter with downpipes
- Superb ventilation included (see table)
- 10 year framework Guarantee



Note all prices shown are the net discounted prices incl VAT at 20%.



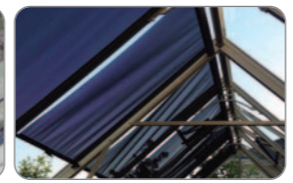
- Dimensions**
- A = 1662mm (5'4")
 - B = See table
 - C = 1692mm (5'6")
 - D = 2186mm (7'2")
 - E = 600mm (2')
 - F = 1727mm (5'8")

Options

- Extra roof vents including auto opener **£149**
- Louvre side vents **£199**
- Hanging basket brackets (10) **£29**
- Internal blinds per 2' section **£129**
- Auto-louvre **£45**

Recommended staging

This five slat staging is ideal for this five foot wide model. At 18" wide it nicely fills the gap to the side of the door. For the ideal set-up add a full length of this plus a high level shelf - which leaves the other side of the greenhouse free for tomatoes etc.



Nominal base length	2'6"	4'7"	6'7"	8'8"	10'8"	12'8"
Actual base length (B)	772mm	1392mm	2012mm	2632mm	3252mm	3872mm
No: of roof vents	One	One	One	Two	Three	Four
No: of louvre side vents	One	One	One	One	Two	Two
Large pane 4mm toughened safety glass	✓	✓	✓	✓	✓	✓
Greenhouse Price	£1999	£2199	£2399	£2,799	£3199	£3599
3 slat (11") Shelf one side	£80	£120	£180	£240	£300	£360
5 slat (11") Staging one side	£125	£240	£360	£480	£600	£720
Victorian Cresting including Finials (Cast aluminium)	£230	£310	£390	£470	£550	£630

All prices Include a powder coating finish. 15% OFF the above prices for Mill finish.

Contemporary Colours (aluminium colour capping)

These five Robinsons colours are finished with an Aluminium capping system that is less prone to fading in the sun than PVC capping - particularly on darker shades.



Old Cottage Green - Blend in with your garden with this pleasant green, like the windows from an old English cottage.



Pastel Sage - A pale stone colour with a greenish hint.



Ivory - This ivory colour is popular on Victorian models, the off-white shade adds a subtle antique effect.



Anthracite - Popular in the window industry, anthracite is a sophisticated and modern shade of dark grey.



Light Bronze - A metallic stone colour.

FREE colour sample plates - ask your agent for a sample.

Classic Colour (PVC white capping)

This mill colour is finished with a white PVC capping.



Mill Finish - This is unprocessed aluminium. It will weather to a dull grey over time. Finished with a white PVC capping.

Finials & Cresting



2x Finials (without cresting) **£164**



See table for Victorian Cresting & Finial prices.



Robinsons ALUMINIUM GREENHOUSES Regent

6x8 Regent in Pastel Sage shown with optional crestring, staging & shelf



Low Wall
We can adapt this model to sit on a standard height low wall, roughly 2ft high. Please specify 'Low wall model' and we will send you an accurate brick plan with your order confirmation. Note: The Low Wall version of this model is 83mm higher at eaves and ridge.

Robinsons Regent ALUMINIUM GREENHOUSES 6'5" Wide (1964mm)

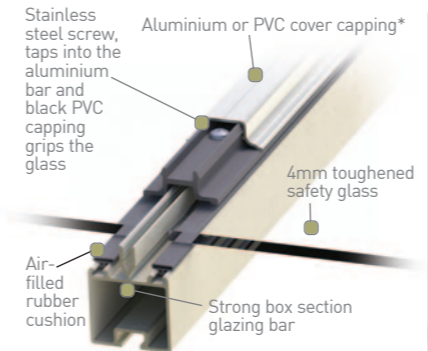
- ✓ High Eaves ✓ Toughened glass ✓ Bar capping ✓ Guttering & Downpipes
- ✓ Auto-vents ✓ Ground level door threshold ✓ Louvre side vents

Specification

- High eaves (5'6") for more space
- Extremely strong R-PRO box section glazing bars
- DURAGLAZ 4mm toughened safety glass
- PRO-CAP Screw-in capping system as standard
- Locking single door with GO-LO low level threshold
- Integral gutter with downpipes
- Superb ventilation included (see table)
- 10 year framework Guarantee

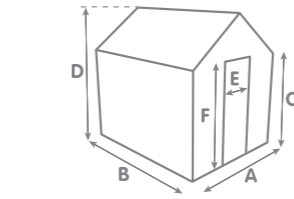


Note all prices shown are the net discounted prices incl VAT at 20%.



Options

- Extra roof vents including auto opener **£149**
- Louvre side vents **£199**
- Hanging basket brackets (10) **£29**
- Internal blinds per 2' section **£129**
- Auto-louvre **£45**

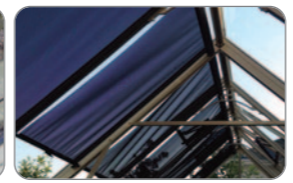


Dimensions

- A = 1964mm (6'5")
- B = See table
- C = 1692mm (5'6")
- D = 2249mm (7'5")
- E = 600mm (2')
- F = 1870mm (6'2")



Louvre side vent



Internal roller blinds for roof or side



Hanging basket brackets pack of 10

Recommended staging

Robinsons slatted staging is an integral staging that is actually bolted to the side of the greenhouse. This has the advantage that it has no vertical legs which can be in the way for working and storage.

Nominal base length	2'6"	4'7"	6'7"	8'8"	10'8"	12'8"	14'8"	16'9"
Actual base length (B)	772 mm	1392mm	2012mm	2632mm	3252mm	3872mm	4492mm	5112mm
No of roof vents (automatic)	One	One	One	Two	Three	Four	Three	Four
No: of louvre side vents	One	One	One	One	Two	Two	Three	Three
Large pane 4mm toughened safety glass	✓	✓	✓	✓	✓	✓	✓	✓
Greenhouse Price	£2299	£2399	£2599	£2999	£3399	£3799	£4199	£4599
3 slat (11") Shelf one side	£80	£120	£180	£240	£300	£360	£420	£480
7 slat (25") Staging one side	£150	£280	£420	£560	£700	£840	£980	£1120
Victorian Cresting including Finials (Cast aluminium)	£230	£310	£390	£470	£550	£630	£710	£790

All prices Include a powder coating finish. 15% OFF the above prices for Mill finish.

Contemporary Colours (aluminium colour capping)

These five Robinsons colours are finished with an Aluminium capping system that is less prone to fading in the sun than PVC capping - particularly on darker shades.



Old Cottage Green - Blend in with your garden with this pleasant green, like the windows from an old English cottage.



Pastel Sage - A pale stone colour with a greenish hint.



Ivory - This ivory colour is popular on Victorian models, the off-white shade adds a subtle antique effect.



Anthracite - Popular in the window industry, anthracite is a sophisticated and modern shade of dark grey.



Light Bronze - A metallic stone colour.

FREE colour sample plates - ask your agent for a sample.

Classic Colour (PVC white capping)

This mill colour is finished with a white PVC capping.



Mill Finish - This is unprocessed aluminium. It will weather to a dull grey over time. Finished with a white PVC capping.

Finials & Cresting



2x Finials (without crestring) **£164**



See table for Victorian Cresting & Finial prices.



Royale

8x10 Royale in Old Cottage Green with optional staging, shelf and cresting



8'x10' Royale in an Anthracite finish



Low Wall

We can adapt this model to sit on a standard height low wall, roughly 2ft high. Please specify 'Low wall model' and we will send you an accurate brick plan with your order confirmation. Note: The Low Wall version of this model is 83mm higher at eaves and ridge.

Robinsons Royale ALUMINIUM GREENHOUSES

8'6" Wide (2584mm)

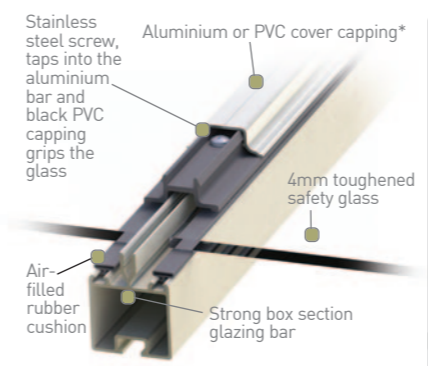
- ✓ High Eaves ✓ Toughened glass ✓ Bar capping ✓ Guttering & Downpipes
- ✓ Auto-vents ✓ Ground level door threshold ✓ Louvre side vents

Specification

- High eaves (5'6") for more space
- Extremely strong R-PRO box section glazing bars
- DURAGLAZ 4mm toughened safety glass
- PRO-CAP Screw-in capping system as standard
- Locking double door with GO-LO low level threshold
- Integral gutter with downpipes
- Superb ventilation included (see table)
- 10 year framework Guarantee



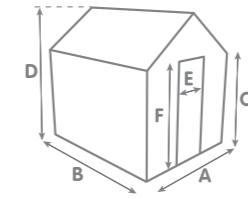
Note all prices shown are the net discounted prices incl VAT at 20%.



Auto-louvre £45



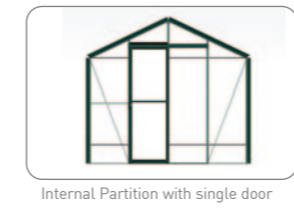
Strong Frame Low level door threshold Screw-in bar capping system



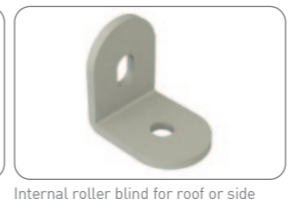
- #### Dimensions
- A = 2584mm (8'6")
 - B = See table
 - C = 1692mm (5'6")
 - D = 2397mm (7'10")
 - E = 1200mm (4')
 - F = 1870mm (6'2")

Options

- Extra roof vents including auto opener £149
- Louvre side vents £199
- Hanging basket brackets (10) £29
- Additional double doors for plain end £799
- Internal Partition with single door £1199
- Internal blinds per 2' section £129



Internal Partition with single door



Internal roller blind for roof or side

Recommended staging

Robinsons slatted staging is an integral staging that is actually bolted to the side of the greenhouse. This has the advantage that it has no vertical legs which can be in the way for working and storage. You can also adjust the height of the staging when building so that it is at your perfect working height.

Nominal base length Actual base length (B)	6'7" 2012mm	8'8" 2632mm	10'8" 3252mm	12'8" 3872mm	14'9" 4492mm	16'9" 5112mm	18'9" 5732mm	20'10" 6352mm	22'10" 6972mm	24'11" 7592mm	Extension 8'1" 2480mm
No: of roof vents	One	Two	Three	Four	Four	Four	Five	Six	Five	Six	Two
No: of louvre side vents	One	Two	Two	Two	Three	Four	Four	Four	Five	Six	Two
Large pane 4mm toughened safety glass	✓	✓	✓	✓	✓	✓	✓	✓	✓	✓	✓
Greenhouse Price	£2999	£3499	£3999	£4499	£4999	£5499	£5999	£6499	£6999	£7499	£2000
3 slat (11") Shelf one side	£180	£240	£300	£360	£420	£480	£540	£600	£660	£720	£240
7 slat (25") Staging one side	£420	£560	£700	£840	£980	£1120	£1260	£1400	£1540	£1680	£560
Victorian Cresting including Finials (Cast aluminium)	£390	£470	£550	£630	£710	£790	£870	£950	£1030	£1110	£320

All prices include a powder coating finish. 15% OFF the above prices for Mill finish.

Contemporary Colours (aluminium colour capping)

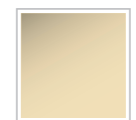
These five Robinsons colours are finished with an Aluminium capping system that is less prone to fading in the sun than PVC capping - particularly on darker shades.



Old Cottage Green - Blend in with your garden with this pleasant green, like the windows from an old English cottage.



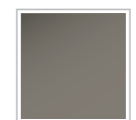
Pastel Sage - A pale stone colour with a greenish hint.



Ivory - This ivory colour is popular on Victorian models, the off-white shade adds a subtle antique effect.



Anthracite - Popular in the window industry, anthracite is a sophisticated and modern shade of dark grey.



Light Bronze - A metallic stone colour.

FREE colour sample plates - ask your agent for a sample.

Classic Colour (PVC white capping)

This mill colour is finished with a white PVC capping.



Mill Finish - This is unprocessed aluminium. It will weather to a dull grey over time. Finished with a white PVC capping.



Royale Reach

8x12 Royale Reach in Anthracite with doors on the side



8x18 Royale Reach in Old Cottage Green with doors on the side



Features

Position your doors on the side or end & fit extra shelving in. EXTRA high eaves of 6'6" give this greenhouse a fantastic atmosphere that gives you and your plants a whole foot of extra headroom over the standard height Royale model. This extra height means that you can position your doors on the end or the side of the greenhouse. (End doors are standard. Side doors must be specified if required). Multi-span versions available, see P28. You will also have room to place two high level shelves above your staging - considerably increasing your growing capacity.



Robinsons ALUMINIUM GREENHOUSES Royale Reach (Extra High Eaves) 8'8" Wide (2636mm)

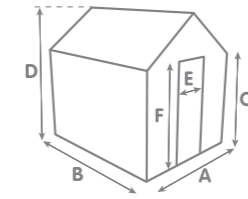
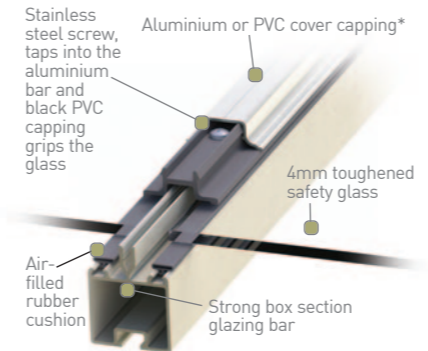
- ✓ High Eaves ✓ Toughened glass ✓ Bar capping ✓ Guttering & Downpipes
- ✓ Auto-vents ✓ Ground level door threshold ✓ Louvre side vents

Specification

- EXTRA High eaves (6'6") for more space
- Extremely strong 'Box Section' glazing bars
- Toughened safety glass & screw in bar capping as standard
- Locking double door with low level threshold
- Integral gutter with downpipes
- Auto-vents included (see table)
- 10 year framework Guarantee



Note all prices shown are the net discounted prices incl VAT at 20%.



Dimensions

- A = 2636mm (8'8")
- B = See table
- C = 1980mm (6'6")
- D = 2702mm (8'10")
- E = 1200mm (4')
- F = 1870mm (6'2")

Options

- Extra roof vents including auto opener **£149**
- Louvre side vents **£199**
- Hanging basket brackets (10) **£29**
- Internal Partition with single door **£1199**
- Internal blinds per 2' section **£129**



Auto-louvre **£45**



Internal Partition with single door



Internal roller blind for roof or side

Recommended staging

Robinsons slatted staging is an integral staging that is actually bolted to the side of the greenhouse. This has the advantage that it has no vertical legs which can be in the way for working and storage. You can also adjust the height of the staging when building so that it is at your perfect working height.

Nominal base length	6'7"	8'8"	10'8"	12'8"	14'9"	16'9"	18'9"	20'10"	22'10"	24'11"	Extension 8'1"
Actual base length (B)	2012mm	2632mm	3252mm	3872mm	4492mm	5112mm	5732mm	6352mm	6972mm	7592mm	2480mm
No: of roof vents	One	Two	Three	Four	Four	Four	Five	Six	Five	Six	Two
No: of louvre side vents	One	Two	Two	Two	Three	Four	Four	Four	Five	Six	Two
Large pane 4mm toughened safety glass	✓	✓	✓	✓	✓	✓	✓	✓	✓	✓	✓
Greenhouse Price	£3799	£4299	£4799	£5299	£5999	£6499	£6999	£7499	£8199	£8699	£2200
3 slat (11") Shelf one side	£180	£240	£300	£360	£420	£480	£540	£600	£660	£720	£240
7 slat (25") Staging one side	£420	£560	£700	£840	£980	£1120	£1260	£1400	£1540	£1680	£560
Victorian Cresting including Finials (Cast aluminium)	£390	£470	£550	£630	£710	£790	£870	£950	£1030	£1110	£320

All prices include a powder coating finish. 15% OFF the above prices for Mill finish.

Contemporary Colours (aluminium colour capping)

These five Robinsons colours are finished with an Aluminium capping system that is less prone to fading in the sun than PVC capping - particularly on darker shades.



Old Cottage Green - Blend in with your garden with this pleasant green, like the windows from an old English cottage.



Pastel Sage - A pale stone colour with a greenish hint.



Ivory - This ivory colour is popular on Victorian models, the off-white shade adds a subtle antique effect.



Anthracite - Popular in the window industry, anthracite is a sophisticated and modern shade of dark grey.



Light Bronze - A metallic stone colour.

FREE colour sample plates - ask your agent for a sample.

Classic Colour (PVC white capping)

This mill colour is finished with a white PVC capping.



Mill Finish - This is unprocessed aluminium. It will weather to a dull grey over time. Finished with a white PVC capping.



Robinsons
ALUMINIUM GREENHOUSES

Rosette

10x16 shown in Anthracite



Low Wall

We can adapt this model to sit on a standard height low wall, roughly 2ft high. Please specify 'Low wall model' and we will send you an accurate brick plan with your order confirmation. Note: The Low Wall version of this model is 83mm higher at eaves and ridge.

Robinsons Rosette ALUMINIUM GREENHOUSES 10'7" Wide (3208mm)

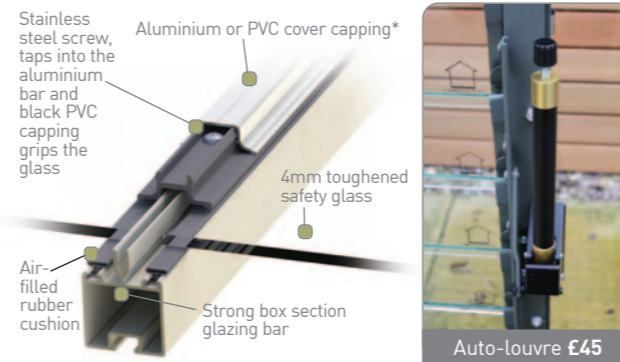
- ✓ High Eaves ✓ Toughened glass ✓ Bar capping ✓ Guttering & Downpipes
- ✓ Auto-vents ✓ Ground level door threshold ✓ Louvre side vents

Specification

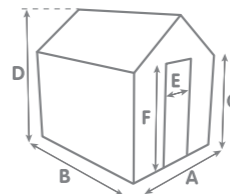
- High eaves (5'6") for more space
- Extremely strong R-PRO box section glazing bars
- DURAGLAZ 4mm toughened safety glass
- PRO-CAP Screw-in capping system as standard
- Locking double door with GO-LO low level threshold
- Integral gutter with downpipes
- Superb ventilation included (see table)
- 10 year framework Guarantee

10
YEAR
Guarantee
Frame

Note all prices shown are the net discounted prices incl VAT at 20%.



Auto-louvre £45



Dimensions

- A = 3208mm (10'6")
- B = See table
- C = 1692mm (5'6")
- D = 2546mm (8'4")
- E = 1200mm (4')
- F = 1870mm (6'2")

Options

Extra roof vents including auto opener £149

Louvre side vents £199

Hanging basket brackets (10) £29

Additional double doors for plain end £799

Internal Partition with double door £1499

Internal blinds per 2' section £129



Internal roller blinds for roof or side



Hanging basket brackets pack of 10

Recommended staging

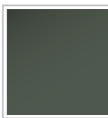
On this Rosette model, you can fit the 35" wide 10 slat staging which just fills the 3ft or so to the side of the doorway. With the high level shelf above you then have a super set-up. Do bear in mind that not everyone can reach to the back of a 3' wide staging, so 25" 7 slat can be fitted instead..

Nominal base length Actual base length (B)	6'7" 2012mm	8'7" 2632mm	10'8" 3252mm	12'8" 3,872mm	14'8" 4492mm	16'9" 5112mm	18'9" 5732mm	20'10" 6352mm	22'10" 6972mm	24'10" 7592mm	26'11" 8212mm	28'11" 8832mm	31' 9452mm	Extension 8'1" 2480mm
Toughened safety glass (large sheets)	✓	✓	✓	✓	✓	✓	✓	✓	✓	✓	✓	✓	✓	✓
No: of roof vents (+auto-vents)	One	Two	Three	Four	Four	Five	Six	Seven	Seven	Eight	Nine	Ten	Ten	Three
No: of louvre side vents	One	Two	Two	Two	Three	Four	Four	Four	Five	Six	Six	Six	Seven	Two
Downpipe kit (both sides)	✓	✓	✓	✓	✓	✓	✓	✓	✓	✓	✓	✓	✓	✓
Greenhouse Price	£3499	£4099	£4699	£5299	£5699	£6299	£6899	£7499	£7899	£8499	£9099	£9699	£10299	£2200
3 slat (11") Shelf one side M/PC	£180	£240	£300	£360	£420	£480	£540	£600	£660	£720	£780	£840	£900	£240
7 slat (25") Staging one side M/PC	£420	£560	£700	£840	£980	£1120	£1260	£1400	£1540	£1680	£1820	£1960	£2100	£560
10 slat (35") Staging one side M/PC	£615	£820	£1025	£1230	£1435	£1640	£1845	£2050	£2255	£2460	£2665	£2870	£3075	£820
Victorian Cresting including Finials (Cast aluminium)	£390	£470	£550	£630	£710	£790	£870	£950	£1030	£1110	£1190	£1270	£1350	£320

All prices Include a powder coating finish. 15% OFF the above prices for Mill finish.

Contemporary Colours (aluminium colour capping)

These five Robinsons colours are finished with an Aluminium capping system that is less prone to fading in the sun than PVC capping - particularly on darker shades.



Old Cottage Green - Blend in with your garden with this pleasant green, like the windows from an old English cottage.



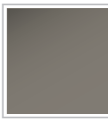
Pastel Sage - A pale stone colour with a greenish hint.



Ivory - This ivory colour is popular on Victorian models, the off-white shade adds a subtle antique effect.



Anthracite - Popular in the window industry, anthracite is a sophisticated and modern shade of dark grey.



Light Bronze - A metallic stone colour.

FREE colour sample plates - ask your agent for a sample.

Classic Colour (PVC white capping)

This mill colour is finished with a white PVC capping.



Mill Finish - This is unprocessed aluminium. It will weather to a dull grey over time. Finished with a white PVC capping.



Rosette Reach

10x16 in Mill finish extra high eaves - on reach models, you can position a door on the side if you wish



Features

Position your doors on the side or end & fit extra shelving in. EXTRA high eaves of 6'6" give this greenhouse a fantastic atmosphere that gives you and your plants a whole foot of extra headroom over the standard height Rosette model. This extra height means that you can position your doors on the end or the side of the greenhouse. (End doors are standard. Side doors must be specified if required).

Multi-span versions available, see P30.

You will also have room to place two high level shelves above your staging - considerably increasing your growing capacity.



Robinsons Rosette Reach (Extra High Eaves) 10'9" Wide (3260mm)

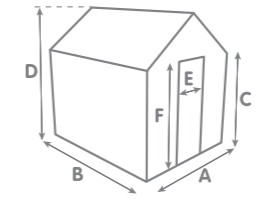
- ✓ High Eaves ✓ Toughened glass ✓ Bar capping ✓ Guttering & Downpipes
- ✓ Auto-vents ✓ Ground level door threshold ✓ Louvre side vents

Specification

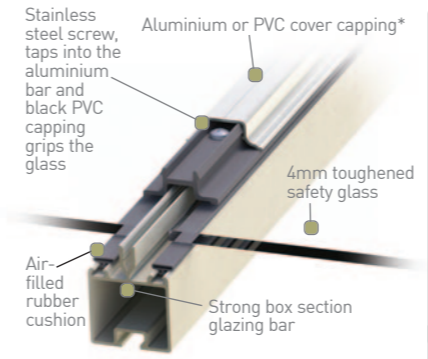
- Extra high eaves (6'6") for more space
- Extremely strong R-PRO box section glazing bars
- DURAGLAZ 4mm toughened safety glass
- PRO-CAP Screw-in capping system as standard
- Option to create double span models for extra wide greenhouses
- Locking double door with GO-LO low level threshold
- Doors can be positioned on end or side
- Integral gutter with downpipes
- Superb ventilation included (see table)



Note all prices shown are the net discounted prices incl VAT at 20%.



- ### Dimensions
- A = 3260mm (10'9")
 - B = See table
 - C = 1980mm (6'6")
 - D = 2858mm (9'4")
 - E = 1200mm (4')
 - F = 1870mm (6'2")



Options

- Extra roof vents including auto opener **£149**
- Louvre side vents **£199**
- Hanging basket brackets (10) **£29**
- Additional double doors for plain end **£799**
- Internal Partition with double door **£1999**
- Internal blinds per 2' section **£129**



Recommended staging

On this Rosette model, you can fit the 35" wide 10 slat staging which just fills the 3ft or so to the side of the doorway. With the high level shelf above you then have a super set-up. Do bear in mind that not everyone can reach to the back of a 3' wide staging, so 25" 7 slat can be fitted instead. Also as these models are extra high (6'6") to the eaves, you can fit two high level shelves above the staging, giving you more capacity.

Nominal base length	6'7"	8'7"	10'8"	12'8"	14'8"	16'9"	18'9"	20'10"	22'10"	24'10"	26'11"	28'11"	31'	Extension 8'1"
Actual base length (B)	2012mm	2632mm	3252mm	3,872mm	4492mm	5112mm	5732mm	6352mm	6972mm	7592mm	8212mm	8832mm	9452mm	2480mm
Toughened safety glass (large sheets)	✓	✓	✓	✓	✓	✓	✓	✓	✓	✓	✓	✓	✓	✓
No: of roof vents (+auto-vents)	One	Two	Three	Four	Four	Five	Six	Seven	Seven	Eight	Nine	Ten	Ten	Three
No: of louvre side vents	One	Two	Two	Two	Three	Four	Four	Four	Five	Six	Six	Six	Seven	Two
Downpipe kit (both sides)	✓	✓	✓	✓	✓	✓	✓	✓	✓	✓	✓	✓	✓	✓
Greenhouse Price	£3999	£4599	£5199	£5799	£6399	£6999	£7599	£8199	£8799	£9399	£9999	£10599	£11199	£2400
3 slat (11") Shelf one side M/PC	£180	£240	£300	£360	£420	£480	£540	£600	£660	£720	£780	£840	£900	£240
7 slat (25") Staging one side M/PC	£420	£560	£700	£840	£980	£1120	£1260	£1400	£1540	£1680	£1820	£1960	£2100	£560
10 slat (35") Staging one side M/PC	£615	£820	£1025	£1230	£1435	£1640	£1845	£2050	£2255	£2460	£2665	£2870	£3075	£820
Victorian Cresting including Finials (Cast aluminium)	£390	£470	£550	£630	£710	£790	£870	£950	£1030	£1110	£1190	£1270	£1350	£320

All prices Include a powder coating finish. 15% OFF the above prices for Mill finish.

Contemporary Colours (aluminium colour capping)

These five Robinsons colours are finished with an Aluminium capping system that is less prone to fading in the sun than PVC capping - particularly on darker shades.



Old Cottage Green - Blend in with your garden with this pleasant green, like the windows from an old English cottage.



Pastel Sage - A pale stone colour with a greenish hint.



Ivory - This ivory colour is popular on Victorian models, the off-white shade adds a subtle antique effect.



Anthracite - Popular in the window industry, anthracite is a sophisticated and modern shade of dark grey.



Light Bronze - A metallic stone colour.

FREE colour sample plates - ask your agent for a sample.

Classic Colour (PVC white capping)

This mill colour is finished with a white PVC capping.



Mill Finish - This is unprocessed aluminium. It will weather to a dull grey over time. Finished with a white PVC capping.



Regal

12x22 Low wall model in Anthracite finish



12x18 Low wall model shown in Pastel Sage

Low Wall

We can adapt this model to sit on a standard height low wall, roughly 2ft high. Please specify 'Low wall model' and we will send you an accurate brick plan with your order confirmation. There is no extra charge for Low wall models.

Robinsons Regal ALUMINIUM GREENHOUSES

12'7" Wide (3824mm)

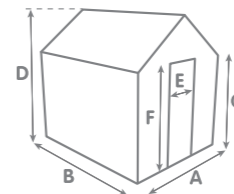
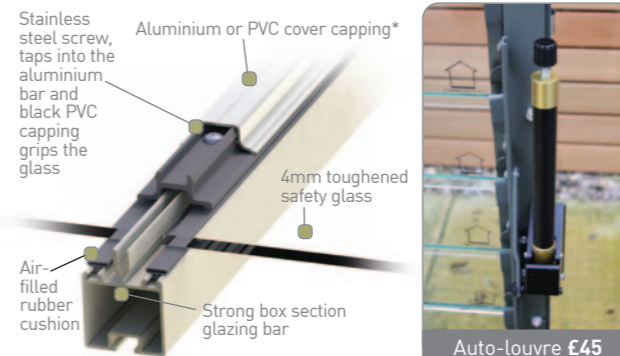
- ✓ High Eaves ✓ Toughened glass ✓ Bar capping ✓ Guttering & Downpipes
- ✓ Auto-vents ✓ Ground level door threshold ✓ Louvre side vents

Specification

- High eaves (5'6") for more space
- Extremely strong R-PRO box section glazing bars
- DURAGLAZ 4mm toughened safety glass
- PRO-CAP Screw-in capping system as standard
- Locking double door with GO-LO low level threshold
- Integral gutter with downpipes
- Superb ventilation included (see table)
- 10 year framework Guarantee

10
YEAR
Guarantee
Framework

Note all prices shown are the net discounted prices incl VAT at 20%.



Dimensions

- A = 3824mm (12'7")
- B = See table
- C = 1692mm (5'6")
- D = 2702mm (8'10")
- E = 1200mm (4')
- F = 1870mm (6'2")

Options

Extra roof vents including auto opener **£149**

Louvre side vents **£199**

Hanging basket brackets (10) **£29**

Additional double doors for plain end **£799**

Internal Partition with double door **£1999**

Internal blinds per 2' section **£129**

Recommended staging

When planning the layout in your Regal, you should try to use the full width to your advantage. This may mean that you go for 25" 7slat staging each side rather than the 35" wide 10 slat so that you can then add a bed or workbench in the middle with 2 paths. If you have a partition, then you may wish to consider having a U-shape of staging in the rear section for maximum efficiency.



Internal Partition with double doors



Staging & Shelving

Nominal base length	8'8"	10'8"	12'8"	14'9"	16'9"	18'9"	20'10"	22'10"	24'11"	Extension 6'1"
Actual base length (B)	2632mm	3252mm	3872mm	4492mm	5112mm	5732mm	6352mm	6972mm	7592mm	1860mm
Toughened safety glass (large sheets)	✓	✓	✓	✓	✓	✓	✓	✓	✓	✓
No: of roof vents (+auto-vents)	Two	Three	Four	Five	Five	Six	Six	Seven	Eight	Two
No: of louvre side vents	Two	Two	Two	Three	Four	Four	Six	Six	Six	Two
Downpipe kit (both sides)	✓	✓	✓	✓	✓	✓	✓	✓	✓	✓
Greenhouse Price	£5399	£5999	£6599	£7199	£7799	£8399	£8999	£9599	£10199	£1800
3 slat (11") Shelf one side M/PC	£240	£300	£360	£420	£480	£540	£600	£660	£720	£240
7 slat (25") Staging one side M/PC	£560	£700	£840	£980	£1120	£1260	£1400	£1540	£1680	£560
10 slat (35") Staging one side M/PC	£820	£1025	£1230	£1435	£1640	£1845	£2050	£2255	£2460	£820
Victorian Cresting including Finials (Cast aluminium)	£470	£550	£630	£710	£790	£870	£950	£1030	£1110	£320

All prices Include a powder coating finish. 15% OFF the above prices for Mill finish.

Contemporary Colours (aluminium colour capping)

These five Robinsons colours are finished with an Aluminium capping system that is less prone to fading in the sun than PVC capping - particularly on darker shades.



Old Cottage Green - Blend in with your garden with this pleasant green, like the windows from an old English cottage.



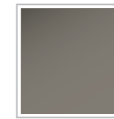
Pastel Sage - A pale stone colour with a greenish hint.



Ivory - This ivory colour is popular on Victorian models, the off-white shade adds a subtle antique effect.



Anthracite - Popular in the window industry, anthracite is a sophisticated and modern shade of dark grey.



Light Bronze - A metallic stone colour.

FREE colour sample plates - ask your agent for a sample.

Classic Colour (PVC white capping)

This mill colour is finished with a white PVC capping.



Mill Finish - This is unprocessed aluminium. It will weather to a dull grey over time. Finished with a white PVC capping.



Regal

12x22 Low wall model in Anthracite finish



Photo shows Pastel Sage finish

Low Wall

We can adapt this model to sit on a standard height low wall, roughly 2ft high. Please specify 'Low wall model' and we will send you an accurate brick plan with your order confirmation. There is no extra charge for Low wall models.

Robinsons Regal ALUMINIUM GREENHOUSES

12'7" Wide (3824mm)

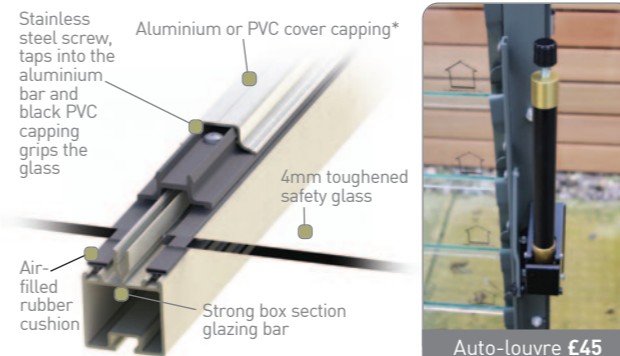
- ✓ High Eaves ✓ Toughened glass ✓ Bar capping ✓ Guttering & Downpipes
- ✓ Auto-vents ✓ Ground level door threshold ✓ Louvre side vents

Specification

- High eaves (5'6") for more space
- Extremely strong R-PRO box section glazing bars
- DURAGLAZ 4mm toughened safety glass
- PRO-CAP Screw-in capping system as standard
- Locking double door with GO-LO low level threshold
- Integral gutter with downpipes
- Superb ventilation included (see table)
- 10 year framework Guarantee

10
YEAR
Guarantee
Framework

Note all prices shown are the net discounted prices incl VAT at 20%.



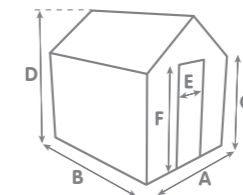
Strong Frame



Low level door threshold



Screw-in bar capping system



Dimensions

- A = 3824mm (12'7")
- B = See table
- C = 1692mm (5'6")
- D = 2702mm (8'10")
- E = 1200mm (4')
- F = 1870mm (6'2")

Options

Extra roof vents including auto opener **£149**

Louvre side vents **£199**

Hanging basket brackets (10) **£29**

Additional double doors for plain end **£799**

Internal Partition with double door **£1999**

Internal blinds per 2' section **£129**

Recommended staging

When planning the layout in your Regal, you should try to use the full width to your advantage. This may mean that you go for 25" 7slat staging each side rather than the 35" wide 10 slat so that you can then add a bed or workbench in the middle with 2 paths. If you have a partition, then you may wish to consider having a U-shape of staging in the rear section for maximum efficiency.



Internal Partition with double doors



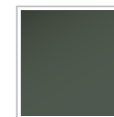
Staging & Shelving

Nominal base length	8'8"	10'8"	12'8"	14'9"	16'9"	18'9"	20'10"	22'10"	24'11"	Extension 6'1"
Actual base length (B)	2632mm	3252mm	3872mm	4492mm	5112mm	5732mm	6352mm	6972mm	7592mm	1860mm
Toughened safety glass (large sheets)	✓	✓	✓	✓	✓	✓	✓	✓	✓	✓
No: of roof vents (+auto-vents)	Two	Three	Four	Five	Five	Six	Six	Seven	Eight	Two
No: of louvre side vents	Two	Two	Two	Three	Four	Four	Six	Six	Six	Two
Downpipe kit (both sides)	✓	✓	✓	✓	✓	✓	✓	✓	✓	✓
Greenhouse Price	£5399	£5999	£6599	£7199	£7799	£8399	£8999	£9599	£10199	£1800
3 slat (11") Shelf one side M/PC	£240	£300	£360	£420	£480	£540	£600	£660	£720	£240
7 slat (25") Staging one side M/PC	£560	£700	£840	£980	£1120	£1260	£1400	£1540	£1680	£560
10 slat (35") Staging one side M/PC	£820	£1025	£1230	£1435	£1640	£1845	£2050	£2255	£2460	£820
Victorian Cresting including Finials (Cast aluminium)	£470	£550	£630	£710	£790	£870	£950	£1030	£1110	£320

All prices Include a powder coating finish. 15% OFF the above prices for Mill finish.

Contemporary Colours (aluminium colour capping)

These five Robinsons colours are finished with an Aluminium capping system that is less prone to fading in the sun than PVC capping - particularly on darker shades.



Old Cottage Green - Blend in with your garden with this pleasant green, like the windows from an old English cottage.



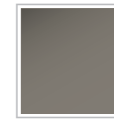
Pastel Sage - A pale stone colour with a greenish hint.



Ivory - This ivory colour is popular on Victorian models, the off-white shade adds a subtle antique effect.



Anthracite - Popular in the window industry, anthracite is a sophisticated and modern shade of dark grey.



Light Bronze - A metallic stone colour.

FREE colour sample plates - ask your agent for a sample.

Classic Colour (PVC white capping)

This mill colour is finished with a white PVC capping.



Mill Finish - This is unprocessed aluminium. It will weather to a dull grey over time. Finished with a white PVC capping.



14x14 Renown in Mill finish



Low Wall
We can adapt this model to sit on a standard height low wall, roughly 2ft high. Please specify 'Low wall model' and we will send you an accurate brick plan with your order confirmation. There is no extra charge for Low wall models.

Robinsons Renown ALUMINIUM GREENHOUSES 14'8" Wide (4454mm)

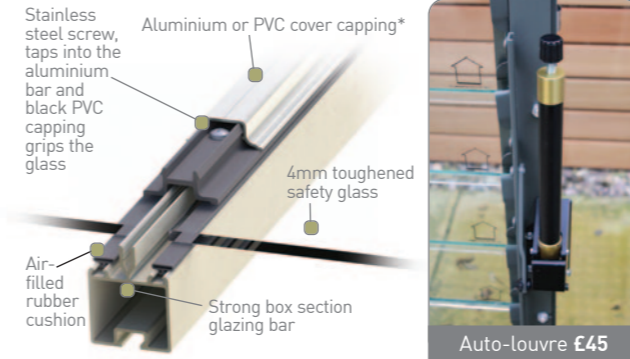
- ✓ High Eaves ✓ Toughened glass ✓ Bar capping ✓ Guttering & Downpipes
- ✓ Auto-vents ✓ Ground level door threshold ✓ Louvre side vents

Specification

- High eaves (5'6") for more space
- Extremely strong R-PRO box section glazing bars
- DURAGLAZ 4mm toughened safety glass
- PRO-CAP Screw-in capping system as standard
- Locking double door with GO-LO low level threshold
- Integral gutter with downpipes
- Superb ventilation included (see table)
- 10 year framework Guarantee



Note all prices shown are the net discounted prices incl VAT at 20%.



Auto-louvre £45



Internal Partition with double doors



Staging & Shelving



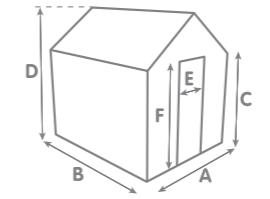
Strong Frame



Low level door threshold



Screw-in bar capping system



Dimensions

- A = 4454mm (14'8")
- B = See table
- C = 1692mm (5'6")
- D = 2854mm (9'4")
- E = 1200mm (4')
- F = 1870mm (6'2")

Options

- Extra roof vents including auto opener **£149**
- Louvre side vents **£199**
- Hanging basket brackets (10) **£29**
- Additional double doors for plain end **£799**
- Internal Partition with double door **£2199**
- Internal blinds per 2' section **£129**

Recommended staging

When planning the layout in your Renown, you should try to use the full width to your advantage. This may mean that you go for 25" 7slat staging each side rather than the 35" wide 10 slat so that you can then add a bed or workbench in the middle with 2 paths. If you have a partition, then you may wish to consider having a U-shape of staging in the rear section for maximum efficiency.

Nominal base length	8'8"	10'8"	12'8"	14'9"	16'9"	18'9"	20'10"	22'10"	24'11"	Extension 6'1"
Actual base length (B)	2632mm	3252mm	3872mm	4492mm	5112mm	5732mm	6352mm	6972mm	7592mm	1860mm
Toughened safety glass (large sheets)	✓	✓	✓	✓	✓	✓	✓	✓	✓	✓
No: of roof vents (+auto-vents)	Two	Three	Four	Five	Five	Six	Six	Seven	Eight	Two
No: of louvre side vents	Two	Two	Two	Three	Four	Four	Six	Six	Six	Two
Downpipe kit (both sides)	✓	✓	✓	✓	✓	✓	✓	✓	✓	✓
Greenhouse Price	£6199	£6799	£7399	£8199	£8799	£9399	£10199	£10799	£11399	£2000
3 slat (11") Shelf one side M/PC	£240	£300	£360	£420	£480	£540	£600	£660	£720	£240
7 slat (25") Staging one side M/PC	£560	£700	£840	£980	£1120	£1260	£1400	£1540	£1680	£560
10 slat (35") Staging one side M/PC	£820	£1025	£1230	£1435	£1640	£1845	£2050	£2255	£2460	£820
Victorian Cresting including Finials (Cast aluminium)	£470	£550	£630	£710	£790	£870	£950	£1030	£1110	£320

All prices Include a powder coating finish. 15% OFF the above prices for Mill finish.

Contemporary Colours (aluminium colour capping)

These five Robinsons colours are finished with an Aluminium capping system that is less prone to fading in the sun than PVC capping - particularly on darker shades.



Old Cottage Green - Blend in with your garden with this pleasant green, like the windows from an old English cottage.



Pastel Sage - A pale stone colour with a greenish hint.



Ivory - This ivory colour is popular on Victorian models, the off-white shade adds a subtle antique effect.



Anthracite - Popular in the window industry, anthracite is a sophisticated and modern shade of dark grey.



Light Bronze - A metallic stone colour.

FREE colour sample plates - ask your agent for a sample.

Classic Colour (PVC white capping)

This mill colour is finished with a white PVC capping.



Mill Finish - This is unprocessed aluminium. It will weather to a dull grey over time. Finished with a white PVC capping.



Royale Reach ALUMINIUM GREENHOUSES Double & Triple Span

17x12 Royale Reach Double Span in Anthracite



The valley gutter is wide and strong enough to walk down for maintenance



Create larger models such as this triple span

Features

Position your doors on the side or end & fit extra shelving in. EXTRA high eaves of 6'6" give this greenhouse a fantastic atmosphere that gives you and your plants a whole foot of extra headroom over the standard height Royale model. This extra height means that you can position your doors on the end or the side of the greenhouse. (End doors are standard. Side doors must be specified if required). You will also have room to place two high level shelves above your staging - considerably increasing your growing capacity.

Robinsons ALUMINIUM GREENHOUSES Royale Reach Double & Triple Span 17'7" Wide (5368mm)

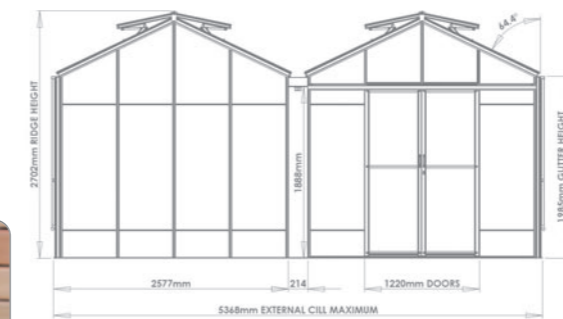
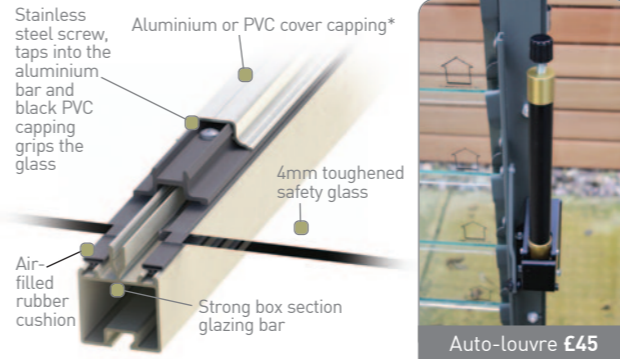
- ✓ High Eaves ✓ Toughened glass ✓ Bar capping ✓ Guttering & Downpipes
- ✓ Auto-vents ✓ Ground level door threshold ✓ Louvre side vents

Specification

- Extra high eaves (6'6") for more space
- Extremely strong R-PRO box section glazing bars
- DURAGLAZ 4mm toughened safety glass
- PRO-CAP Screw-in capping system as standard
- Option to create double span models for extra wide greenhouses
- Locking double door with GO-LO low level threshold
- One set of doors; can be positioned on end or side
- Extra strong valley gutter system with downpipe

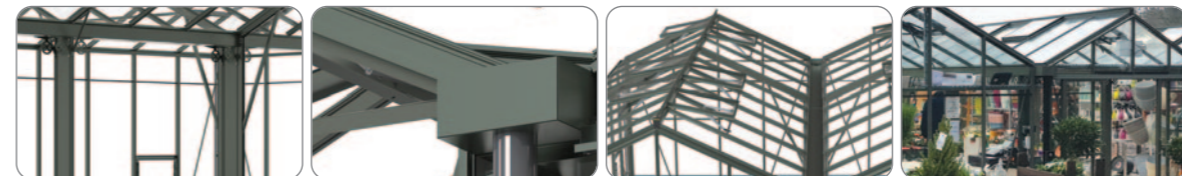


Note all prices shown are the net discounted prices incl VAT at 20%.



Options

- Extra roof vents including auto opener **£149**
- Louvre side vents **£199**
- Hanging basket brackets (10) **£29**
- Additional double doors **£799**
- Internal blinds per 2' section **£129**
- Auto-louvre **£45**



Valley gutter is held up by strong stanchions

Nominal base length Actual base length (B)	12'8" 3872mm	14'9" 4492mm	16'9" 5112mm	18'9" 5732mm	20'10" 6352mm	22'10" 6972mm	24'11" 7592mm	Extension 8'1" 2480mm
No. of roof vents (Double/Triple)	Eight/Twelve	Eight/Twelve	Eight/Twelve	Ten/Fifteen	Twelve/Eighteen	Twelve/Eighteen	Twelve/Eighteen	Four/Six
No. of louvre side vents (Double/Triple)	Two/Two	Three/Three	Four/Four	Four/Four	Four/Four	Five/Five	Six/Six	Two/Two
Large pane 4mm toughened safety glass	✓	✓	✓	✓	✓	✓	✓	✓
Greenhouse Double Span Price	£10598	£11998	£12998	£13998	£14998	£16398	£17398	£4400
Greenhouse Triple Span Price	£15897	£17997	£19497	£20997	£22497	£24597	£26097	£6600
3 slat (11") Shelf one side	£360	£420	£480	£540	£600	£660	£720	£240
7 slat (25") Staging one side	£840	£980	£1120	£1260	£1400	£1540	£1680	£560

All prices include a powder coating finish. 15% OFF the above prices for Mill finish.

Contemporary Colours (aluminium colour capping)

These five Robinsons colours are finished with an Aluminium capping system that is less prone to fading in the sun than PVC capping - particularly on darker shades.

- Old Cottage Green** - Blend in with your garden with this pleasant green, like the windows from an old English cottage.
- Pastel Sage** - A pale stone colour with a greenish hint.
- Ivory** - This ivory colour is popular on Victorian models, the off-white shade adds a subtle antique effect.
- Anthracite** - Popular in the window industry, anthracite is a sophisticated and modern shade of dark grey.
- Light Bronze** - A metallic stone colour.

FREE colour sample plates - ask your agent for a sample.

Classic Colour (PVC white capping)

This mill colour is finished with a white PVC capping.

- Mill Finish** - This is unprocessed aluminium. It will weather to a dull grey over time. Finished with a white PVC capping.



Rosette Reach Double & Triple Span

Valley gutters enable you to create double or triple span models



Features

This Double span model has extra high eaves of 6'6". This enables you to position the set of double doors on the end or on the side and it also means that you valley gutter is high enough to walk under, making one large useful greenhouse with nice open space.

Robinsons ALUMINIUM GREENHOUSES Rosette Reach Double & Triple Span 21'9" Wide (6628mm)

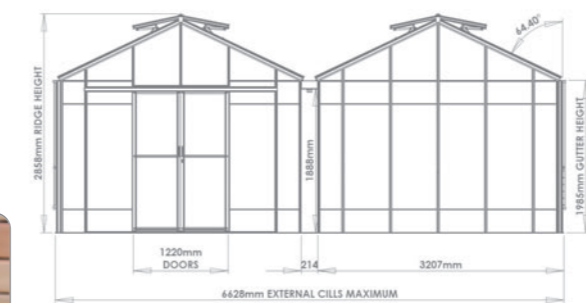
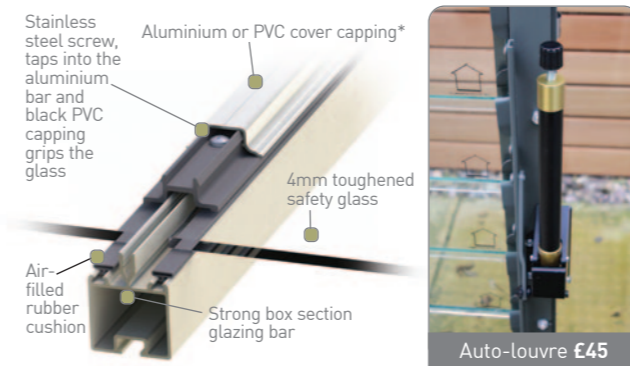
- ✓ High Eaves ✓ Toughened glass ✓ Bar capping ✓ Guttering & Downpipes
- ✓ Auto-vents ✓ Ground level door threshold ✓ Louvre side vents

Specification

- Extra high eaves (6'6") for more space
- Extremely strong R-PRO box section glazing bars
- DURAGLAZ 4mm toughened safety glass
- PRO-CAP Screw-in capping system as standard
- Option to create double span models for extra wide greenhouses
- Locking double door with GO-LO low level threshold
- Doors can be positioned on end or side
- Valley gutter with downpipe
- Superb ventilation included (see table)



Note all prices shown are the net discounted prices incl VAT at 20%.



Options

- Extra roof vents including auto opener £149
- Louvre side vents £199
- Hanging basket brackets (10) £29
- Additional double doors £799
- Internal blinds per 2' section £129



Nominal base length	12'8"	14'8"	16'9"	18'9"	20'10"	22'10"	24'10"	26'11"	28'11"	31'	Extension 8'1"
Actual base length (B)	3,872mm	4,492mm	5,112mm	5,732mm	6,352mm	6,972mm	7,592mm	8,212mm	8,832mm	9,452mm	2,480mm
No: of roof vents (Double/Triple)	Eight/Twelve	Eight/Twelve	Ten/Fifteen	Twelve/Eighteen	Fourteen/Twenty One	Fourteen/Twenty One	Sixteen/Twenty Four	Eighteen/Twenty Seven	Twenty/Thirty	Twenty/Thirty	Six/Nine
No: of louvre side vents (Double/Triple)	Two/Two	Three/Three	Four/Four	Four/Four	Four/Four	Five/Five	Six/Six	Six/Six	Six/Six	Seven/Seven	Two/Two
Toughened safety glass (large sheets)	✓	✓	✓	✓	✓	✓	✓	✓	✓	✓	✓
Downpipe kit (both sides)	✓	✓	✓	✓	✓	✓	✓	✓	✓	✓	✓
Greenhouse Double Span Price	£11598	£12798	£13998	£15198	£16398	£17598	£18798	£19998	£21198	£22398	£4800
Greenhouse Triple Span Price	£17397	£19197	£20997	£22797	£24597	£26397	£28197	£29997	£31797	£33597	£7200
3 slat (11") Shelf one side M/PC	£360	£420	£480	£540	£600	£660	£720	£780	£840	£900	£240
7 slat (25") Staging one side M/PC	£840	£980	£1120	£1260	£1400	£1540	£1680	£1820	£1960	£2100	£560
10 slat (35") Staging one side M/PC	£1230	£1435	£1640	£1845	£2050	£2255	£2460	£2665	£2870	£3075	£820

All prices Include a powder coating finish. 15% OFF the above prices for Mill finish.

Contemporary Colours (aluminium colour capping)

These five Robinsons colours are finished with an Aluminium capping system that is less prone to fading in the sun than PVC capping - particularly on darker shades.

- Old Cottage Green** - Blend in with your garden with this pleasant green, like the windows from an old English cottage.
- Pastel Sage** - A pale stone colour with a greenish hint.
- Ivory** - This ivory colour is popular on Victorian models, the off-white shade adds a subtle antique effect.
- Anthracite** - Popular in the window industry, anthracite is a sophisticated and modern shade of dark grey.
- Light Bronze** - A metallic stone colour.

FREE colour sample plates - ask your agent for a sample.

Classic Colour (PVC white capping)

- Mill Finish** - This is unprocessed aluminium. It will weather to a dull grey over time. Finished with a white PVC capping.



Renaissance

5x9 Renaissance in Anthracite with optional crestring and finials



5'x5' Renaissance in Old Cottage Green



5'x7' Renaissance in Pastel Sage with optional crestring & finials

Robinsons Renaissance

ALUMINIUM GREENHOUSES

5'7" Deep (1714mm)

- ✓ Strong frame ✓ Toughened glass ✓ Stylish Design
- ✓ Staging Included ✓ Bar capping ✓ Ground level door threshold

Specification

- High eaves (6'4")
- Extremely strong box-section and I-beam glazing bars
- Sliding door with lock and no step
- Large Pane Toughened glass included
- Powder coated finish included
- Tanalised staging & shelving included
- Roof vents (auto) & louvres included
- Guttering (all around) & downpipe

10
YEAR
WARRANTY
Frame Guarantee

Note all prices shown are the net discounted prices incl VAT at 20%.

Nominal base length Actual base lengths	5'7" 1714mm	7'7" 2312mm	9'7" 2932mm	11'8" 3552mm
No: of standard roof vents (automatic)	None	Two	Two	Two
No: of louvre side vents	Two	Two	Two	Two
Door(s)	Double (mini)	Single	Single	Double
Complete set of staging 2 sides and rear High level side shelf x 2 sides	✓	✓	✓	✓
Special Package Price	£2999	£3599	£3999	£4399
High level shelf rear infill	£129	£159	£199	£249
Victorian Cresting including Finials (Cast aluminium)	N/A	£230	£310	£390

All prices Include a powder coating finish.



Auto-louvre £45



Hanging Basket
Brackets (10) £29

Benefits of Robinsons Octagonal Greenhouses

Ultra strong box section corner bars. These chunky sections are extremely strong as well as giving the greenhouse 'clean lines' Screw in PVC Glazing capping. Glass is held in with full length PVC bar capping with stainless steel screws with an extra cover cap to hide the screws. The glass sits onto an air filled rubber beading and is then tightly gripped by the capping. This adds strength to the glazing - which is very securely held- and also to the greenhouse as a whole.

Good eaves and door height. Many Octagonal greenhouses on the market are quite low at the eaves and consequently, they tend to have low doors. These Renaissance models have full 6'2" high doors giving you easier access and more headroom for your crops and shelving. More included as standard. As a package these Robinsons Renaissance models are extremely good value for money. They include

a long list of items which are add-on costs on other greenhouse such as toughened glass, green finish, auto-vent for roof, staging all around and two high level side shelves. Plus guttering and downpipes.



Internal staging (tanalised timber tops)



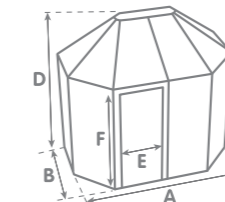
6x8 model - you'll need your base to provide level support for the bottom track



Auto-vent



Cresting & finials optional



Dimensions

- A = See table
- B = 1714mm (5'7")
- C = 1945mm (6'5")
- D = 2630mm (8'7")
- E = 600mm (2')
- F = 1870mm (6'2")

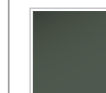


Robinsons

ALUMINIUM GREENHOUSES



Choose from 5 colours



Old Cottage Green



Pastel Sage



Ivory



Anthracite



Light Bronze



Staging included

Renaissance staging includes a complete set of staging 2 sides and rear and a shelf each side. Made with strong tanalised timber and green coloured aluminium brackets, you can remove the wooden tops in summer if you wish to grow tomatoes - the brackets can be used as supports.



Lean-to 4'4" Deep

Glass to ground 4x12 model shown in Anthracite



Robinsons ALUMINIUM GREENHOUSES Lean-to 4'4" Deep (1337mm)

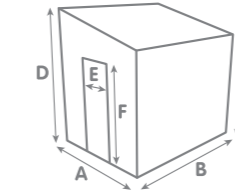
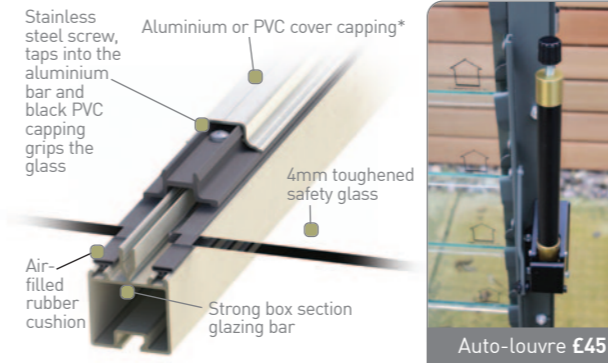
- ✓ Toughened Glass ✓ Strong Frame ✓ Bar Capping ✓ Downpipes
- ✓ Auto-vents ✓ Ground level door threshold

Specification

- Toughened Glass
- Very strong aluminium frame with Box Section glazing bars
- Single sliding door with lock & low level threshold (specify position)
- Screw-in bar capping
- Auto-vents
- Please specify door on right or left hand end or front

10
YEAR
WARRANTY
Frame Guarantee

Note all prices shown are the net discounted prices incl VAT at 20%.

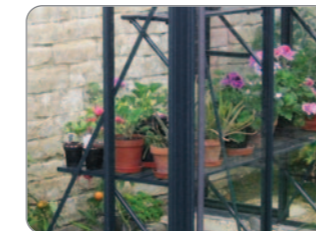


Dimensions

- A = 1337mm (4'4")
- B = See table
- C = 1937mm (6'4")
- D = 2285mm (7'5")
- E = 600mm (2')
- F = 1820mm (6')

Options

- Extra roof vents including auto opener **£149**
- Louvre side vents **£199**
- Hanging basket brackets (10) **£29**
- Additional single door **£399**
- Additional double front doors **£799**
- Double front doors in lieu of single end door **£499**
- Internal blinds per 2' section **£129**



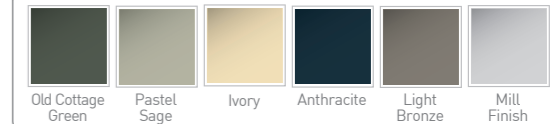
Nominal base lengths	4'7"	6'7"	8'7"	10'8"	12'8"
Actual base lengths	1392 mm	2012mm	2632mm	3252mm	3872mm
4mm Toughened glass (whole panel)	✓	✓	✓	✓	✓
Roof vent (automatic)	One	One	One	Two	Two
Louvre side vent	One	One	One	One	Two
Built-in gutters with downpipe	✓	✓	✓	✓	✓
Bar capping (no clips)	✓	✓	✓	✓	✓
Greenhouse Price	£1999	£2199	£2399	£2599	£2799
3 slat (11") Shelf one side	£120	£180	£240	£300	£360
7 slat (25") Staging one side	£280	£420	£560	£700	£840

All prices Include a powder coating finish. 15% OFF the above prices for Mill finish.

Robinsons ALUMINIUM GREENHOUSES



Choose from 6 colours



Recommended staging

Robinsons slatted staging is an integral staging that is actually bolted to the side of the greenhouse. This has the advantage that it has no vertical legs which can be in the way for working and storage. You can also adjust the height of the staging when building so that it is at your perfect working height. It is very strong and the full length shelf is also extremely useful (it is hard to find a proper full-length shelf to fit many greenhouses).



Lean-to 5'4" Deep

Glass to ground model shown - optional low wall model, no extra charge [add 83mm to heights]



5x10 Mill finish Lean-to with door in right hand end



Low Wall
We can adapt this model to sit on a standard height low wall, roughly 2ft high. Please specify 'Low wall model' and we will send you an accurate brick plan with your order confirmation. There is no extra charge for Low wall models. Note: The Low Wall version of this model is 83mm higher at eaves and ridge, note the protruding footing to support track.

Robynsons ALUMINIUM GREENHOUSES Lean-to 5'4" Deep (1619mm)

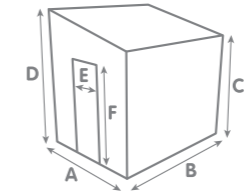
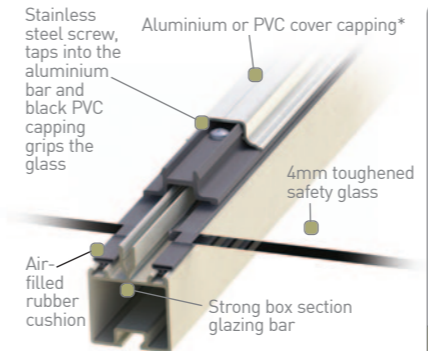
- ✓ Toughened Glass ✓ Strong Frame ✓ Bar Capping ✓ Downpipes
- ✓ Auto-vents ✓ Ground level door threshold

Specification

- Unique size at 5'4" deep
- Toughened Glass
- Very strong aluminium frame with Box Section glazing bars
- Single sliding door with lock & low level threshold (specify position)
- Screw-in bar capping
- Auto-vents
- Please specify door on right or left hand end



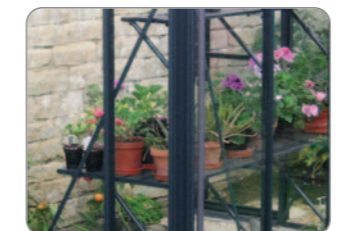
Note all prices shown are the net discounted prices incl VAT at 20%.



- Dimensions**
- A = 1619mm (5'4")
 - B = See table
 - C = 1691 (5'6")
 - D = 2564mm (8'5")
 - E = 600mm (2')
 - F = 1820mm (6')

Options

- Extra roof vents including auto opener **£149**
- Louvre side vents **£199**
- Hanging basket brackets (10) **£29**
- Additional single door **£399**
- Additional double front doors **£799**
- Double front doors in lieu of single end door **£499**
- Internal blinds per 2' section **£129**



Nominal base lengths	6'7"	8'7"	10'8"	12'8"	14'8"	16'9"	8'1" Extension
Actual base lengths	2012mm	2632mm	3252mm	3872mm	449 mm	5112mm	2480mm
4mm Toughened glass (whole panel)	✓	✓	✓	✓	✓	✓	✓
Roof vent (automatic)	One	One	Two	Two	Two	Two	One
Louvre side vent	One	One	One	Two	Three	Three	Two
Built-in gutters with downpipe	✓	✓	✓	✓	✓	✓	✓
Bar capping (no clips)	✓	✓	✓	✓	✓	✓	✓
Greenhouse Price	£2499	£2899	£3299	£3699	£4099	£4499	£1600
3 slat (11") Shelf one side	£180	£240	£300	£360	£420	£480	£240
7 slat (25") Staging one side	£420	£560	£700	£840	£980	£1120	£560

All prices Include a powder coating finish. 15% OFF the above prices for Mill finish.

Robynsons ALUMINIUM GREENHOUSES



Choose from 6 colours

Old Cottage Green	Pastel Sage	Ivory	Anthracite	Light Bronze	Mill Finish



Recommended staging
Robynsons slatted staging is an integral staging that is actually bolted to the side of the greenhouse. This has the advantage that it has no vertical legs which can be in the way for working and storage. You can also adjust the height of the staging when building so that it is at your perfect working height. It is very strong and the full length shelf is also extremely useful (it is hard to find a proper full-length shelf to fit many greenhouses).



Low Wall Version
 You can have this lean-to adapted to sit on a low wall. Note that there is no addition to overall height on this model only and that the wall is nearer to 30" high (770mm) high. Please only build a wall, once you have a specific plan for your greenhouse.

Robinsons ALUMINIUM GREENHOUSES Lean-to 6'4" Deep (1929mm)

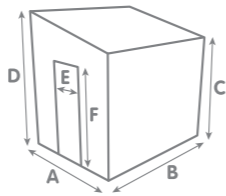
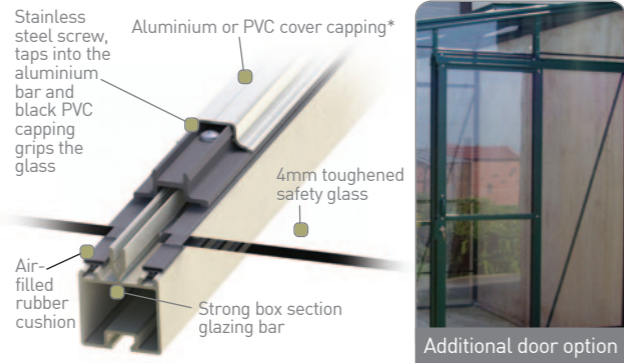
- ✓ Toughened Glass ✓ Strong Frame ✓ Bar Capping ✓ Downpipes
- ✓ Auto-vents ✓ Ground level door threshold

Specification

- Lower pitch gives lower ridge height (7'10 1/2")
- Toughened Glass
- Very strong aluminium frame with box section glazing bars
- Doors can be positioned either end, or on front (please specify)
- Screw-in bar capping
- Auto-vents
- Locking door with low level threshold



Note all prices shown are the net discounted prices incl VAT at 20%.



Dimensions

- A = 1929mm (6'4")
- B = See table
- C = 1916mm (6'3 1/2")
- D = 2400mm (7'10 1/2")
- E = 600mm (2')
- F = 1820mm (6')

Options

- Extra roof vents including auto opener **£149**
- Louvre side vents **£199**
- Hanging basket brackets (10) **£29**
- Additional single door **£399**
- Additional double front doors **£799**
- Internal blinds per 2' section **£129**
- Sliding access door from shed/greenhouse **£554**



Lean-to 6'4" Deep

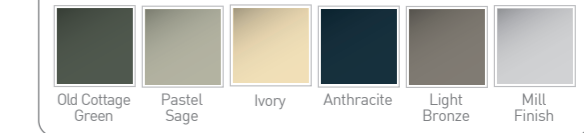
Nominal base lengths	6'7"	8'7"	10'8"	12'8"	14'8"	16'9"	6'1" Extension
Actual base lengths	2012mm	2632mm	3252mm	3872mm	449 mm	5112mm	1860 mm
4mm Toughened glass (whole pane)	✓	✓	✓	✓	✓	✓	✓
Roof vent (automatic)	One	One	Two	Two	Two	Three	One
Louvre side vent	One	One	One	Two	Three	Three	Two
Built-in gutters with downpipe	✓	✓	✓	✓	✓	✓	✓
Bar capping (no clips)	✓	✓	✓	✓	✓	✓	✓
Greenhouse Price	£2599	£2999	£3399	£3799	£4199	£4599	£1200
3 slat (11") Shelf one side	£180	£240	£300	£360	£420	£480	£180
7 slat (25") Staging one side	£420	£560	£700	£840	£980	£1120	420

All prices include a powder coating finish. 15% OFF the above prices for Mill finish.

Robinsons ALUMINIUM GREENHOUSES



Choose from 6 colours

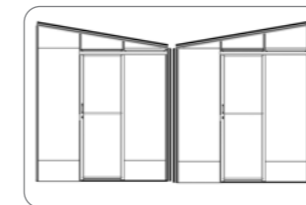


6x10 Lean-to in Old Cottage Green with standard door on left hand end

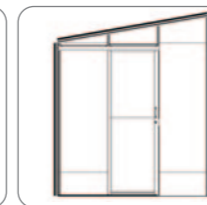


Door options (looking from outside):

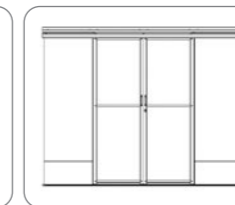
The standard door [D355] has the lock on the left and slides open to the right - this can work on either end of this model and this door will come as standard whichever end you want your door. Optional special door [D356]. You can specify a special door with the lock on the right which slides open to the left, which can also go at either end.



D355 Standard (slides open to right) - Standard door for use either end



D356 (slides open to left) by special order



D550 Double doors on front

Double doors [D550] you can put double doors on the front of this Greenhouse.



Recommended staging

Robinsons slatted staging is an integral staging that is actually bolted to the side of the greenhouse. This has the advantage that it has no vertical legs which can be in the way for working and storage. You can also adjust the height of the staging when building so that it is at your perfect working height. It is very strong and the full length shelf is also extremely useful (it is hard to find a proper full-length shelf to fit many greenhouses).



Lean-to 8'4" Deep

Glass to ground model shown - optional low wall model, no extra charge

Robinsons ALUMINIUM GREENHOUSES



Low Wall
We can adapt this model to sit on a standard height low wall, roughly 2ft high. Please specify 'Low wall model' and we will send you an accurate brick plan with your order confirmation. There is no extra charge for Low wall models. The Low Wall version of this model is the same height at eaves and ridge as the glass to ground model. Note the protruding footing to support the door track.

Robinsons ALUMINIUM GREENHOUSES Lean-to 8'4" Deep (2572mm)

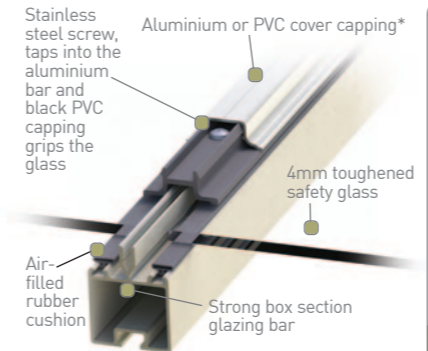
- ✓ Toughened Glass ✓ Strong Frame ✓ Bar Capping ✓ Downpipes
- ✓ Auto-vents ✓ Ground level door threshold

Specification

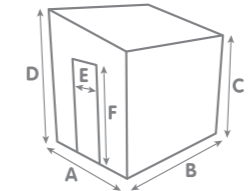
- Toughened Glass
- Very strong aluminium frame with Box Section glazing bars
- Double sliding doors with lock & low level threshold (specify position)
- Screw-in bar capping
- Auto-vents
- Please specify if doors are to be on front

10 YEAR
Frame Guarantee

Note all prices shown are the net discounted prices incl VAT at 20%.



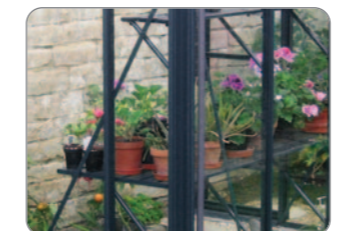
Low wall option



Dimensions
A = 2572mm (8'4")
B = See table
C = 1937 (6'4")
D = 2504mm (8'2")
E = 1200mm (4')
F = 1870 (6'2")

Options

- Extra roof vents including auto opener **£149**
- Louvre side vents **£199**
- Hanging basket brackets (10) **£29**
- Additional single door **£399**
- Additional double front doors **£799**
- Double front doors in lieu of single end door **£499**
- Internal blinds per 2' section **£129**



Nominal base lengths	6'7"	8'7"	10'8"	12'8"	14'8"	16'9"	18'9"	20'10"	6'1" Extension
Actual base lengths	2012mm	2632mm	3252mm	3872mm	449 mm	5112mm	5732mm	6352mm	1860 mm
4mm Toughened glass (whole panel)	✓	✓	✓	✓	✓	✓	✓	✓	✓
Roof vent (automatic)	One	One	Two	Two	Two	Three	Three	Three	One
Louvre side vent	One	One	One	Two	Three	Three	Four	Five	Two
Built-in gutters with downpipe	✓	✓	✓	✓	✓	✓	✓	✓	✓
Bar capping (no clips)	✓	✓	✓	✓	✓	✓	✓	✓	✓
Greenhouse Price	£2999	£3499	£3999	£4499	£4999	£5499	£5999	£6499	£1500
3 slat (11") Shelf one side	£180	£240	£300	£360	£420	£480	£540	£600	£180
7 slat (25") Staging one side	£420	£560	£700	£840	£980	£1120	£1260	£1400	£420

All prices Include a powder coating finish. 15% OFF the above prices for Mill finish.

Robinsons ALUMINIUM GREENHOUSES



Choose from 6 colours

Old Cottage Green	Pastel Sage	Ivory	Anthracite	Light Bronze	Mill Finish



Recommended staging
Robinsons slatted staging is an integral staging that is actually bolted to the side of the greenhouse. This has the advantage that it has no vertical legs which can be in the way for working and storage. You can also adjust the height of the staging when building so that it is at your perfect working height. It is very strong and the full length shelf is also extremely useful (it is hard to find a proper full-length shelf to fit many greenhouses).

Special adaptations

There are a number of relatively easy modifications that can be made to a Robinsons greenhouse which will help you if you are needing a slightly more bespoke greenhouse:

Fitting service

All of these modifications can easily be made in the factory, but there are no special instructions written, so its usually best to engage an experienced Robinsons greenhouse fitter to do these jobs. Please discuss this with your local expert.

R-Type modification

This is where we remove the rear gable end of your greenhouse so that it can join onto an existing wall or building.

This allows you to create a completely different type of lean-to greenhouse - more like an Edwardian style.

When ordering an R-Type, the price of the greenhouse itself can be reduced by deducting £50 per foot of width. The Regent model shown in the photo is a 6ft wide greenhouse meaning the price would be reduced by £300 for this modification.



6x8 Regent in Anthracite with an R-Type modification where the back fits against the house

V-Type modification

This modification is becoming increasingly popular as it allows for one side of your greenhouse to be removed and a valley gutter assembly is attached so that it can join onto an existing wall. Victorian style brackets are also supplied to support the valley gutter inside the greenhouse.

Some minor onsite fabrications are required and information is provided on how to do this. Please ensure that the wall is straight and strong enough to support part of the greenhouse.

A special dimensions drawing will be provided by us for this type of modification.

Z-Type modification

With this modification you are able to specify the height of the wall you want the full height greenhouse to sit on i.e. 5'6" eaves height - plus your wall. This gives you the opportunity to fit the greenhouse over an existing doorway for instance. The brick wall must be built to an official special base plan provided by us.

The most common heights customers choose are 150mm, 300mm, 450mm and 600mm as a course of bricks is usually 75mm. We then modify the door end of the greenhouse so that the door drops down to ground level and adjust the glass above the door.

The cost of the Z-Type modification is £300 per doorway.



12x24 Regal Z-Type on a 450mm wall



12x16 Regal in Old Cottage Green with a V-Type modification

Valley gutter assembly exterior



10x30 Rosette in Mill with a Z-Type modification on a 150mm wall

Internal partitions can also be modified for the Z-Type

What sort of base should I prepare?

There are lots of choices for your base, the main principles being that the base should be firm, level and square.

The most popular option is level paving slabs as these are easy to lay, and water can drain away between the slabs. Remember that water must be able to get away, so sealed solid bases such as painted or tiled concrete can result in lying water unless drainage is built in.

Water will also be free to move in or out of the greenhouse in between the cill and the slabs - if you are growing in strict humidity controlled conditions, then you may wish to keep this to a minimum and in this instance, we recommend that you build a one brick high plinth for the greenhouse to sit on.



Your base will affect the long term strength and stability of your greenhouse, so it is worth investing at this stage. It is vital that your greenhouse is anchored down to the base. With most models we supply L-shaped brackets and screws & rawl plugs for this purpose.

Bases such as Tarmac or block paving are not ideal as anchorage can be difficult. Note that gravel is not best friends with greenhouses either - if you really want gravel nearby choose a large size stone so that it doesn't interfere with the door. Your local distributor may be able to help you with your base.

Please note that no greenhouse is an exact size in feet - they are always bigger than the nominal size - so what is called an 8x10 greenhouse would actually be nearer to 8'6" x 10'8".

Please only prepare a base when you are in possession of the official base sizes which are only given in mm, we send these out with your order confirmation.

For dwarf wall models we will supply a detailed plan of the wall measurements.

Can you assemble the greenhouse for me?

All Robinsons greenhouses are sold on a 'self-assembly' basis, and will be delivered in kit form, however we do recommend that you engage an experienced greenhouse fitter to assemble the greenhouse for you. Your local Agent will be able to arrange this for you.

Delivery Times

Your greenhouse will be hand made to order and delivery times vary throughout the year.

Delivery Costs

Mainland UK Free delivery, except postcodes AB, DD, IV, KW, PH and TR +£100. For off-shore, we can crate the glass and pack for onward shipment for £250. Any shortages can only be sent to mainland address. Accessories ordered alone will attract a carriage charge (usually £10, or £3 if postable).

Guarantee

Your Robinsons greenhouse comes with a free 10 year frame guarantee. This covers the frame and powder coating against faulty manufacture. Moving parts are guaranteed for 12 months. Exclusions include: glazing, wind damage, Labour, and accidental damage.

Where can I order my greenhouse

From your local Agent - to find your nearest, please enter your postcode into the website:

www.robinsonsgreenhouses.co.uk

Please note that no greenhouse is 100% waterproof, and we do not recommend that non-greenhouse items such as soft furnishings are used in a greenhouse. E&O E.

Your local agent:

